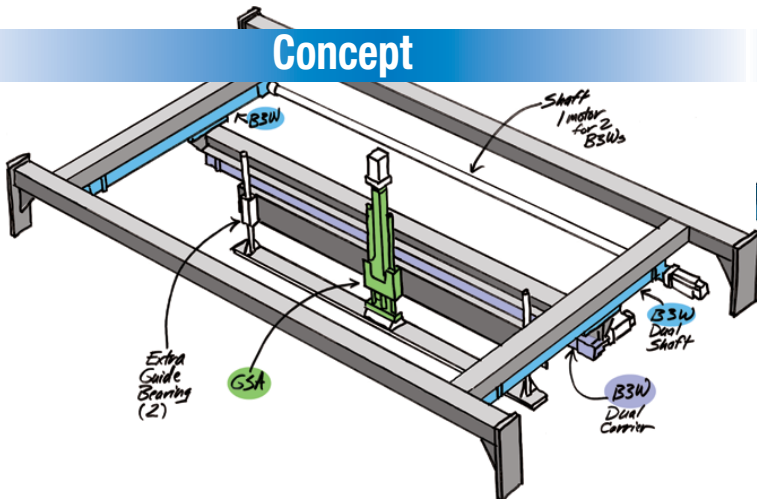
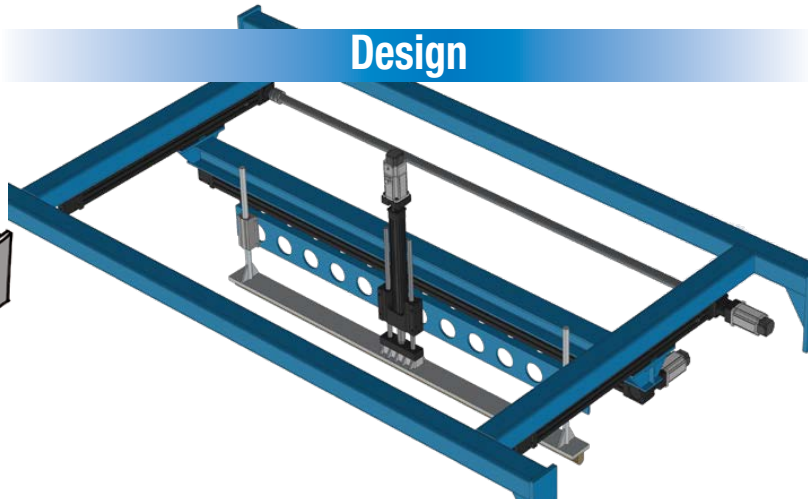


## GANTRY & MULTI-AXIS SOLUTIONS

Concept



Design



Fabrication



Robust gantries designed to accommodate high duty cycle, large weight & size.

Infinite combinations can be created with our comprehensive product line of rodless and rod-style actuators

- Configurable, built-to-order solutions
- Maximize flexibility, speed, efficiency and throughput
- Integrates with existing systems with "Your Motor Here", flexible mounting; including carrier mounting

# NO COOKIE-CUTTER SYSTEMS HERE

*(Unless, of course, you actually want to cut cookies)*

More choices with professional guidance to create your gantry, your way.

Off the shelf gantry systems have their place. But if you have weight, force or size challenges that don't fit within their limited offerings you do have a choice. Tolomatic has been creating flexible, robust, high duty cycle gantry systems for decades. We make gantry systems bigger, stronger and more configurable.

### LONG STROKES & MULTIPLE CARRIERS

- Rodless belt-drive actuators can be modified to nearly double stroke length
- Multiple carriers can increase the load carrying capacity and give higher bending moment control capability

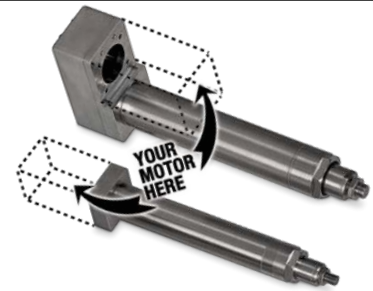


### DUAL DRIVE FOR JACK-SHAFT

- Keeps actuators synchronized
- No need for 2 motors



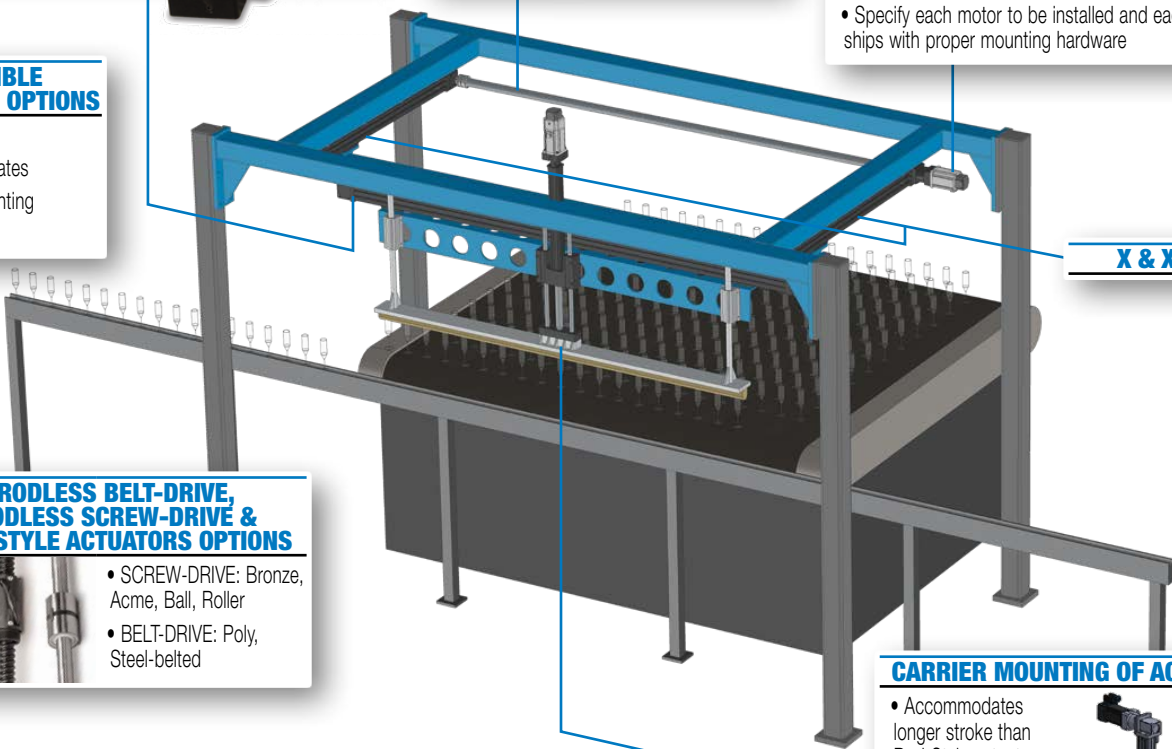
### YOUR MOTOR HERE®



- Integrates perfectly with your motor of choice
- Choose a Tolomatic stepper or servo motor, OR
- Specify and ship your motors/gearheads to Tolomatic for factory installation, OR
- Specify each motor to be installed and each actuator ships with proper mounting hardware

### FLEXIBLE MOUNTING OPTIONS

- T-Nuts
- Mounting plates
- Carrier mounting
- Dowel pins



### RODLESS BELT-DRIVE, RODLESS SCREW-DRIVE & ROD-STYLE ACTUATORS OPTIONS

- SCREW-DRIVE: Bronze, Acme, Ball, Roller
- BELT-DRIVE: Poly, Steel-belted



### X & X'

### CARRIER MOUNTING OF ACTUATOR

- Accommodates longer stroke than Rod-Style actuators
- Built-in load support and bending moment control



### Fully integrated turnkey solutions.

- Single and multi-axis control using motion controllers
- Gantry pre-programming based on customer specifications
- Safety features (light curtains, safety mats, e-stop, etc.)
- Electrical control panels
- User interface (HMI, control pendant, etc.)

## ENDURANCE TECHNOLOGY<sup>SM</sup>

A Tolomatic Design Principle

Endurance Technology features are designed for maximum durability to provide extended service life.

# GANTRIES: ENDLESS CONFIGURATIONS

*Designing and building the complete solution for your challenge*

## Begin with:

### CONCEPT:

- "Napkin" sketch
- Budget
- Loads
- Speeds

## Key Design Considerations

### MOVEMENT:

*End Customer*

- Speeds
- Cycle time
- Accuracy
- Repeatability
- Dwells

### SPACE:

*End Customer*

- Working envelope
- Stroke length
- Environment Concerns

### LOAD:

*End Customer*

- Weights
- Load dimensions
- Forces
- Center of gravity

## Final Design

### Design details:

- CAD layout
- Approval drawing sign-off
- Total cost of ownership
- Life

*Tolomatic & Partner*

- Screw/Belt per axis
- Motor/drive
- Gearboxes
- X, Y, Z interaction

*Tolomatic & Partner*

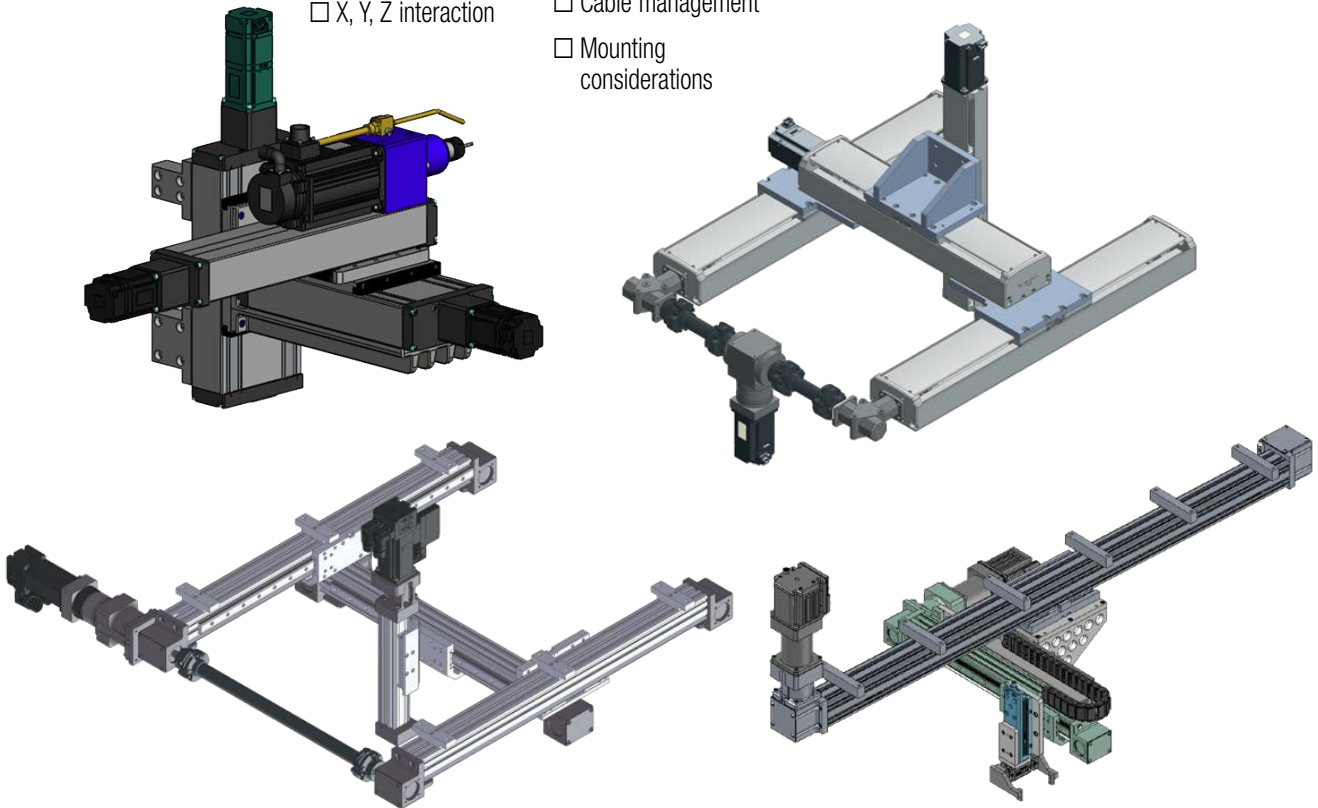
- Stroke over travel
- Required installation envelope
- Cable management
- Mounting considerations

*Tolomatic & Partner*

- Moment loads
- Tooling

### Final Assembly:

- Factory
- Integrator
- Field



## More than just actuators, these additional components & services make up a complete gantry system:

- Cable Track
- Cable Tray
- Transition plates
- Base plates
- Jack Shafts and Couplers
- Framing: Tubular – Steel – Extrusion
- EOAT design: End of Arm Tooling (vacuum, gripper, load cell)
- Customer run-off
- Units can be shipped in kit form or other depending on size
- On-site support



# The Tolomatic Difference Expect More From the Industry Leader:



**INNOVATIVE PRODUCTS**

Unique linear actuator solutions with Endurance Technology<sup>SM</sup> to solve your challenging application requirements.



**FAST DELIVERY**

The fastest delivery of catalog products... Built-to-order with configurable stroke lengths and flexible mounting options.



**ACTUATOR SIZING**

Online sizing that is easy to use, accurate and always up-to-date. Find a Tolomatic electric actuator to meet your requirements.



**YOUR MOTOR HERE**

Match your motor with compatible mounting plates that ship with any Tolomatic electric actuator.



**LIBRARY**

Easy to access CAD files available in the most popular formats to place directly into your assembly.



**TECHNICAL SUPPORT**

Extensive motion control knowledge: Expect prompt, courteous replies to any application and product questions from Tolomatic's industry experts.

Images with the cooperation of Solve NYC

## Also Consider These Other Tolomatic Products:

### Electric Products

Rod & Guided Rod Style Actuators, High Force Actuators, Screw & Belt Drive Rodless Actuators, Motors, Drives and Controllers

"Foldout" Brochure #9900-9074



### Pneumatic Products

Rodless Cylinders: Band Cylinders, Cable Cylinders, Magnetically Coupled Cylinders/Slides; Guided Rod Cylinder Slides

"Foldout" Brochure #9900-9075



### Power Transmission Products

Gearboxes: Float-A-Shaft<sup>®</sup>, Slide-Rite<sup>®</sup>; Caliper Disc Brakes; Planetary Roller Screws

"Foldout" Brochure #9900-9076

## Sold & Serviced By:



Canadian and International Sales

**ELECTROMATE**

877-737-8698

[sales@electromate.com](mailto:sales@electromate.com)

[www.electromate.com](http://www.electromate.com)

U.S. Sales

**SERVO2GO.com**

877-378-0240

[sales@servo2go.com](mailto:sales@servo2go.com)

[www.servo2go.com](http://www.servo2go.com)